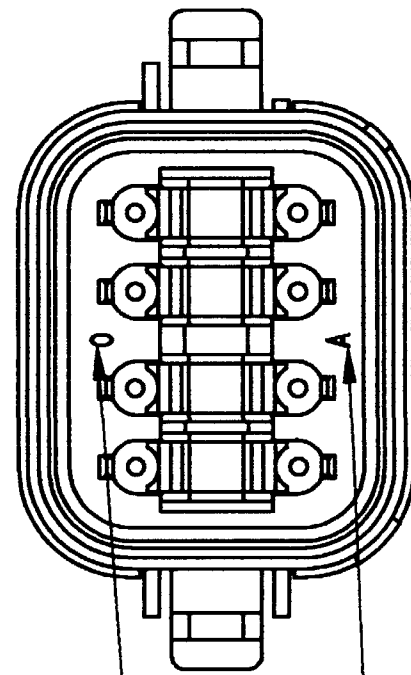
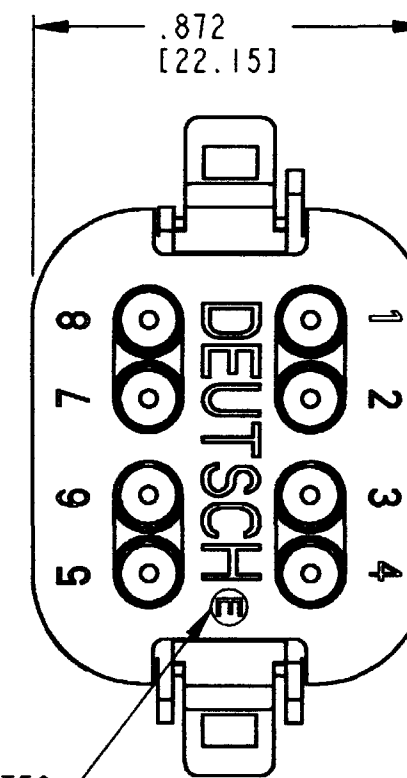
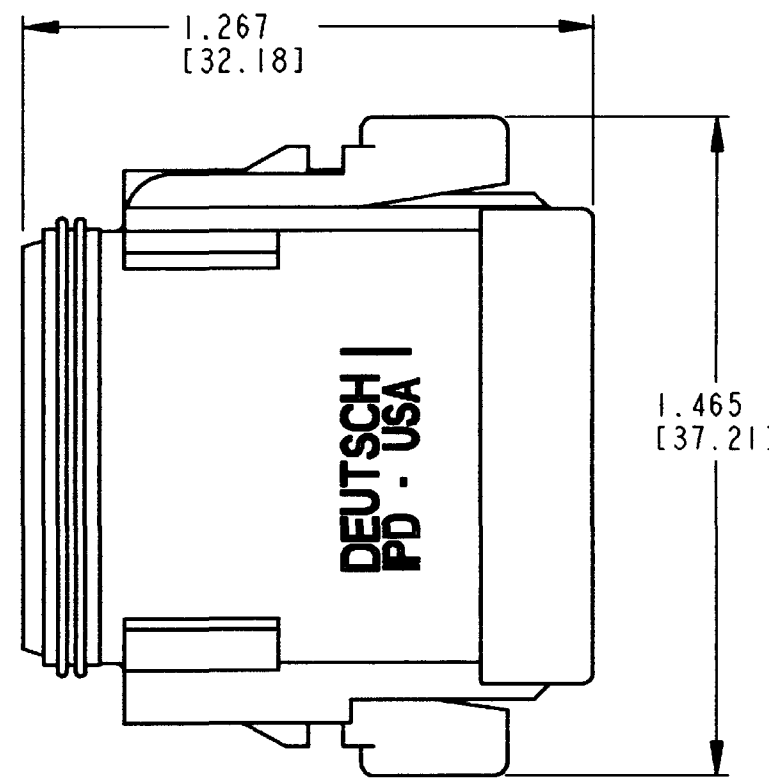


3D VIEW



DATE CODE:  
MONTH REPRESENTED BY SEQUENTIAL ALPHA CHARACTERS. EX: A=JANUARY.  
DATE CODE:  
YEAR REPRESENTED BY LAST NUMERICAL DIGIT: EX - 0=2000



-E- DESIGNATES  
REDUCED WIRE  
DIAMETER.

REV	DT06-08S*-CE05	REVISIONS			
NC		SYM	DESCRIPTION	DATE	APPROVED
		NC	REDRAWN / REPLACES PREVIOUS		
			RELEASE PER E.O. P19053	10-14-05	ADR

5. MATERIAL: SHELL: PLASTIC; SEAL: RUBBER.
4. THIS PLUG MATES WITH THE DT04-08P\*-\*\*\*\* RECEPTACLE (\* = A,B,C,D KEYS; \*\*\*\* = ALL MODIFICATIONS). CONSULT FACTORY FOR MODIFICATIONS.

3. FOR CONTACTS AND WIRE PERFORMANCE AND APPLICATION CHARACTERISTICS SEE ENVELOPE DRAWING 0425-015-0000 AND 0425-017-0000.

2. DIMENSIONS ARE ±.025 [0.63] UNLESS OTHERWISE SPECIFIED.

1. DIMENSIONS ARE IN INCHES [MILLIMETERS].

NOTES:

CONTACT SIZE	MIN. INSUL O.D.	MAX. INSUL O.D.	WIRE RANGE [mm <sup>2</sup> ] REF. ONLY
16	.053 [1.35]	.120 [3.05]	14-20 AWG [2.0-0.5]

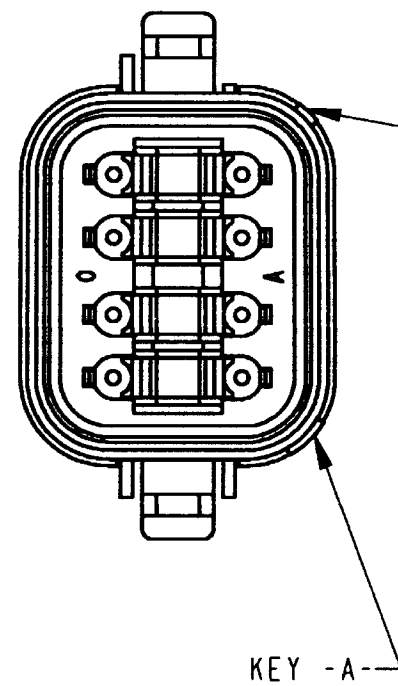
SIGNATURE & DATE	
DR	A. MALAGON 19SEP05
CHK	<i>[Signature]</i> 10/12/05
PE	<i>[Signature]</i> 10/12/05
APPD	<i>[Signature]</i> 10/12/05
SCALE	NONE WT

8 WAY PLUG  
W/ WELD CAP,  
& SEAL RETENTION STYLE  
-CE05 MOD.  
DT SERIES  
  
ENVELOPE

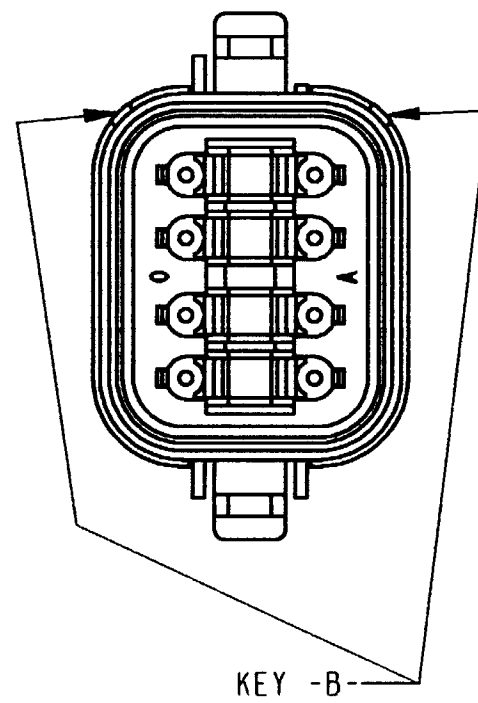
CP	MATL. CODE
<b>The Deutsch Company</b> DEUTSCH I.P.D. 3850 INDUSTRIAL AVE. HEMET, CALIF. 92545	
<b>B DT06-08S*-CE05</b>	
DWG SIZE	CODE 11139 SHEET 1 OF 2

REV NC	DT06-08S*-CE05	REVISIONS			
		SYM	DESCRIPTION	DATE	APPROVED
		NC	REDRAWN / REPLACES PREVIOUS		
			RELEASE PER E.O. P19053	10-14-05	RDR

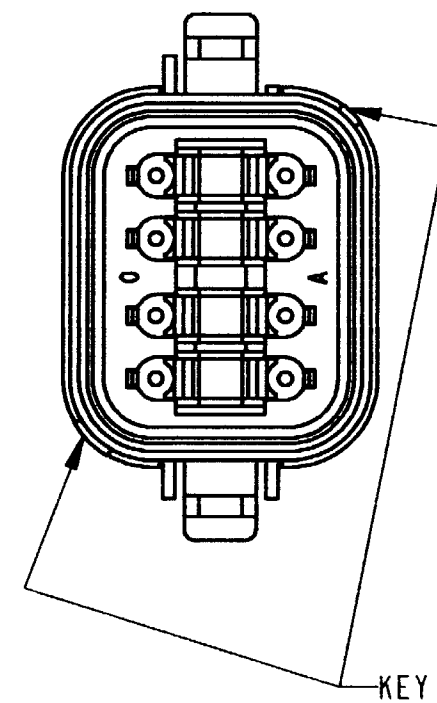
PART NO.  
DT06-08SA-CE05  
KEY ARRANGMENT -A-  
COLOR: GRAY



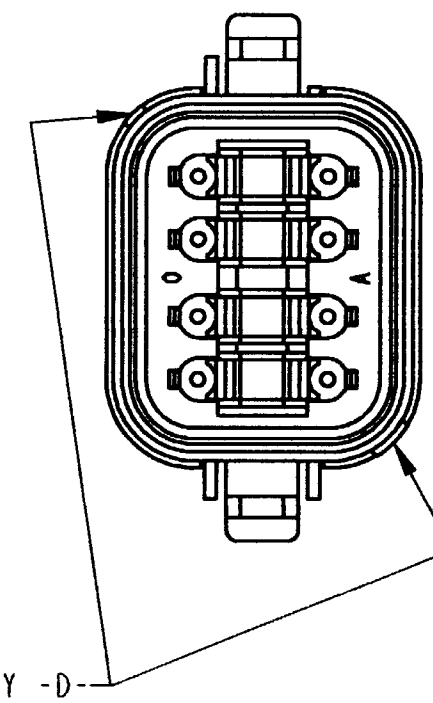
PART NO.  
DT06-08SB-CE05  
KEY ARRANGMENT -B-  
COLOR: BLACK



PART NO.  
DT06-08SC-CE05  
KEY ARRANGMENT -C-  
COLOR: GREEN



PART NO.  
DT06-08SD-CE05  
KEY ARRANGMENT -D-  
COLOR: BROWN



NOTES:

SIGNATURE & DATE	
DR	A. MALAGON 19SEP05
CHK	<i>Janil Ayala</i> 10/12/05
PE	<i>Scott Glenn</i> 9/23/05
APPD	<i>S. Baird</i> 10-12-05
SCALE	NONE WT

8 WAY PLUG  
W/ WELD CAP,  
& SEAL RETENTION STYLE  
-CE05 MOD.  
DT SERIES  
  
ENVELOPE

CP	MATL. CODE
The Deutch Company DEUTSCH I.P.D. 3850 INDUSTRIAL AVE. HEMET, CALIF. 92545	
<b>B</b> DT06-08S*-CE05	
DWG SIZE	CODE 11139 SHEET 2 OF 2